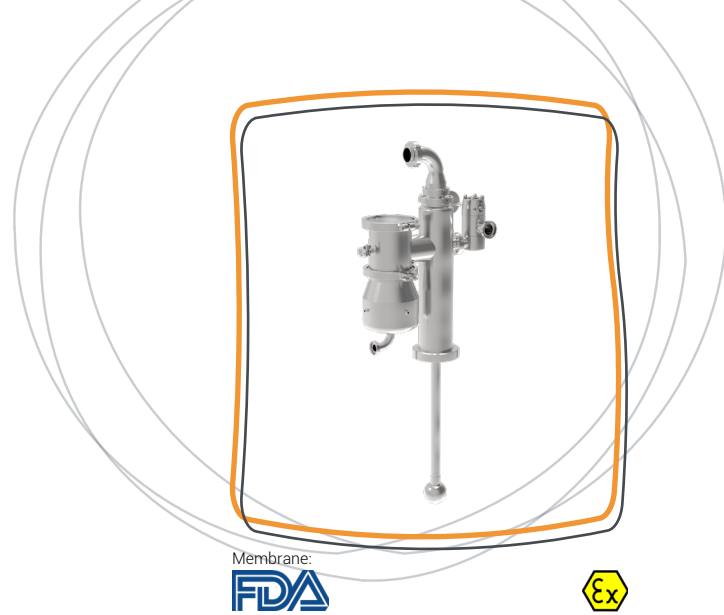


XCHE[®]

Vent: Multifunction support



Presentation

The XCHE enables all the equipment providing pressure protection (SHP type safety valve) and vacuum protection (vacuum breaker valves, type BOG or HSV-A depending on diameter), washing of the tank, the XCHE and all its components, pressurisation and recovery of fermentation gases (CHE type washing valve) to be located at a single point in the tank dome. The XCHE can also accommodate a stainless steel rupture disc and/or a pressure sensor in additional tapplings.

Key features

- Reduced space requirements with this all-in-one package for easy integration into new or reconditioned tanks
- Reduced integration costs by reducing the number and diameters of connections, and by using a single tube for all the functions described above
- Full protection of the tank, in particular against thermal and/or chemical shock
- Guaranteed operation during process phases (fermentation gas recovery, pressurisation, inerting, etc.), including when the wash ball is submerged
- Product quality preserved with a design that complies with the most stringent international hygiene standards and enhanced sanitation (CIP/SIP)

Applications

- Manufacture and storage of carbonated alcoholic beverages (beer, sparkling wine, cider, etc.) and non-alcoholic beverages (water and other carbonated beverages, etc.)
- Equipment for fermentation tanks, filtered beer tanks, yeast propagators, yeast storage tanks, holding tanks, production tanks, storage tanks and other buffer tanks

Technical features

Pressure: Up to 6 bar depending on diameter

Operating temperature: Up to 120°C depending on tightness

Sizes: DN 100, DN 150, DN 250 and DN 320

Connection to the tank: Flange up to DN 150, weldable above that size

CIP/gas connection: Male, clamp, DIN/SMS/DN from 40 to 76

Wash ball connection: Plain nozzle 25 or 38 mm

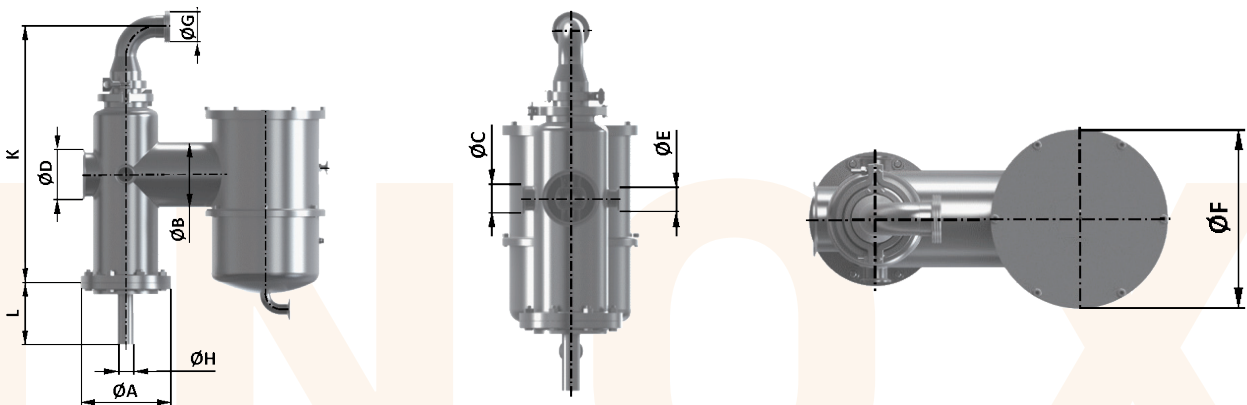
Materials

- Parts in contact with the product: 1.4307 (304L) or 1.4404 (316L) depending on size & PTFE (Polytetrafluoroethylene, eq. Teflon®) & PP (Polypropylene)
- Other parts: 1.4307 (304L)
- Sealing: EPDM (Ethylene Propylene Diene Monomer) seals

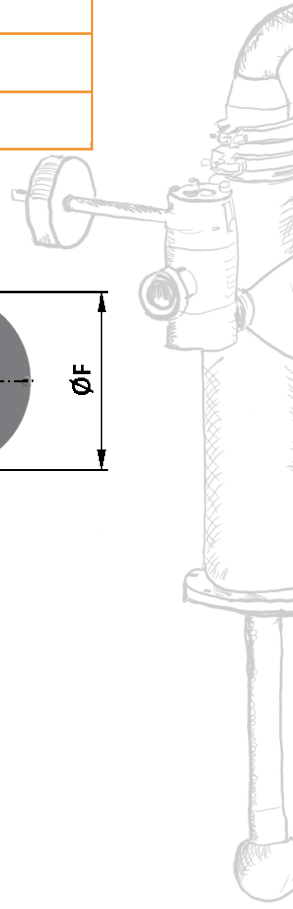
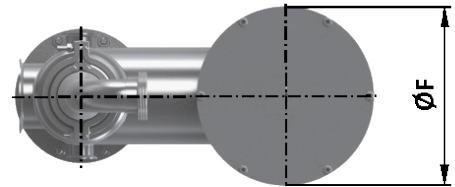
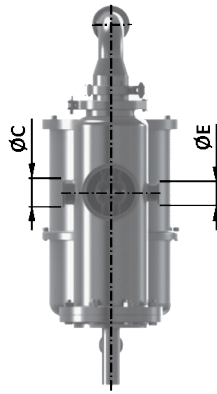
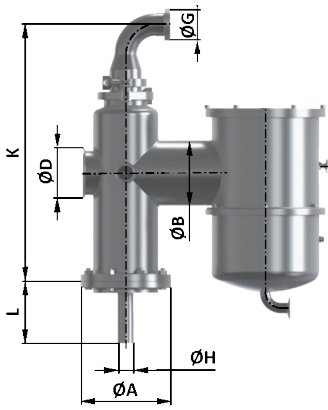
Standard dimensions in mm

Standard version

Sizes	1	2	3
ØA: Tank connection	104*2	154*2	154*2
ØB: Vacuum valve connection	65	100	154
ØC: Pressure valve connection	50.5	50.5	64
ØD: Rupture disc connection (optional)	50.5	77.5	119
ØE: Connection for pressure measurement (optional) or temperature probe	50.5	50.5	50.5
ØF: Vacuum valve dimension	109	183	284
ØG: Washing inlet / CO ² inlet or outlet	Between 40 and 76		
ØH: Washing tube	38		
K: Height above tank	630		
L: Length of washing pipe in the tank	Upon request		



Sizes		
ØA: Tank connection	254*2	324*2
ØB: Vacuum valve connection	250	320
ØC: Pressure valve connection	77.5	77.5
ØD: Rupture disc connection (optional)	119	119
ØE: Connection for pressure measurement (optional) or temperature probe	50.5	50.5
ØF: Vacuum valve dimension	400	500
ØG: Washing inlet / CO ² inlet or outlet	Between 40 and 76	
ØH: Washing tube	38	
K: Height above tank	960	
L: Length of washing tube in the tank	Upon request	



SERVO

Options

- Tapping with clamp ferrule for stainless steel rupture disc mounting
- Tapping for pressure sensor mounting
- Other materials and special designs on request
- Other tank connections (up to DN 150): Male, female, clamp
- Other seals: FKM (Fluorocarbon rubber, eq. Viton®), VMQ (Silicone)
- NBR (Nitrile rubber), FFKM (Perfluoroelastomer, eq. Kalrez®)
- Forced opening of valves
- Pad-mounted version for additional accessories
- Customised equipment: please contact us

Warranty

12 months as from the date of dispatch (except for special conditions)

Conformity

- Seals compliant with FDA CFR 21.177.2600 and Regulation (EC) 1935/2004
- Pipe fitting and tank compliant with Paragraph 4.3 of the PED 2014/68/EU
- Compliant with "ATEX 2014/34/EU, zones 1 & 2, gas and dust" directive
- Internal washing: equipment tested at the IFBM (Institut Français des Boissons, de la Brasserie et de la Malterie - French Institute of Beverage, Brewing and Malting)
- Conformity of SHP, BOG and HSV-A equipment: see corresponding sheets

INOX

Non-contractual document and visuals, subject to change without notice.

Only the commercial offer and the technical manual supplied with the equipment may be used for technical and legal purposes.